



DUCTED & DUCTLESS MINI-SPLIT REMOTE CONTROL

USER MANUAL

1PAMSHH & 2PAMSHH Models
Hyper Heat High Wall Indoor Air Handlers

2PAMSH Models
High Wall Indoor Air Handlers

2PAMSCH Models
Cassette Indoor Air Handlers

2PAMSDH Models
Ducted Indoor Air Handlers

Before using your air conditioner,
please read this manual carefully
and keep it for future reference,
along with your receipt.



CONTENTS

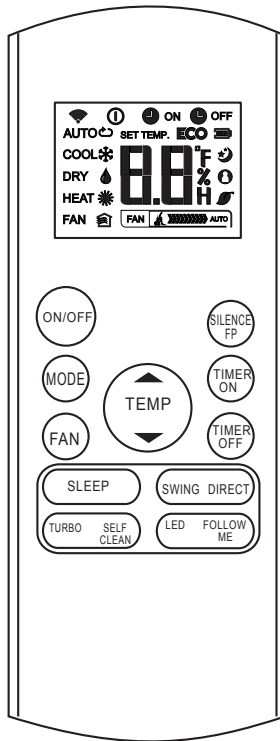
Remote Control Specifications	2
Operation buttons	3
Indicators on LCD.....	6
How to use the buttons.....	7
Auto operation	7
Cooling/Heating/Fan operation	7
Dehumidifying operation	8
Timer operation	9
Handling the remote control.....	13

NOTE:

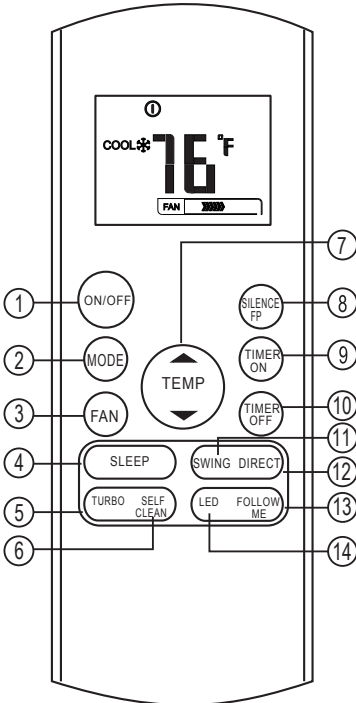
- Button design is based on standard model. Your remote may differ slightly based on actual model purchased.
- All functions described herein are accomplished with the indoor unit. If your unit does not have a certain feature or option there will be no corresponding function when that specific button is pressed.
- If there are differences between the Remote Control Manual and Indoor/Outdoor User Manual on function descriptions, the description in the Indoor/Outdoor User Manual shall prevail.

Remote Control Specifications

Model	Hyper Heat High Wall Ductless Mini-Split Units 1PAMSHH Series (Single-Zone), High Wall Ductless Mini-Split Units 2PAMSH Series (Single-Zone & Multi-Zone), Cassette Indoor Units 2PAMSCH Series (Multi-Zone) Ducted Indoor Units 2PAMSDH Series (Multi-Zone)
Rated Voltage	3.0V (AAA Dry batteries R03/LR03 x 2)
Signal Receiving Range	26 ft (8m)
Environment	23°F~140°F



Operation of buttons



1 ON/OFF Button

This button turns the air conditioner ON and OFF.

2 MODE Button

Press this button to select the air conditioner mode in the following sequence:

→ AUTO → COOL → DRY → HEAT → FAN

5 FAN Button

Used to select the fan speed as shown:

→ AUTO → LOW → MED → HIGH

NOTE: You cannot control the fan speed in AUTO or DRY mode.

4 SLEEP Button

Activate/Disable Sleep function. Maintains a comfortable temperature and saves energy. This function is available on COOL, HEAT or AUTO mode only.

For more information, see "Sleep Operation" in the Indoor/Outdoor User Manual.

NOTE: While the unit is running in SLEEP mode, if MODE, FAN SPEED or ON/OFF button is pressed, the SLEEP function is canceled.

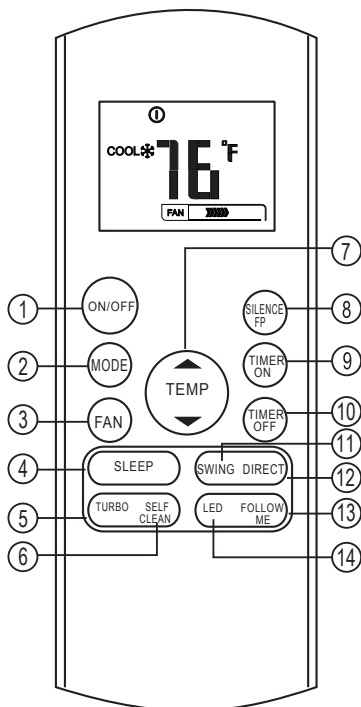
5 TURBO Button

Activate/Disable Turbo function. Turbo function allows for the unit to reach the preset temperature for cooling or heating operation in the shortest time. (If the indoor unit does not support this function, there is no corresponding operation when this button is pressed.)

6 SELF CLEAN Button

Activate/Disable Self Clean function. Under SELF CLEAN mode, the air conditioner will automatically clean and dry the Evaporator and keep it fresh for the next operation.

Operation of buttons



7 UP Button (▲)

Push this button to increase the indoor temperature setting in 1°F increments to 86°F.

DOWN Button (▼)

Push this button to decrease the indoor temperature setting in 1°F increments to 62°F.

NOTE: Temperature control is not available in FAN mode.

NOTE: Press and hold UP and DOWN buttons together for 3 seconds to alternate the temperature display between the °F and °C scale.

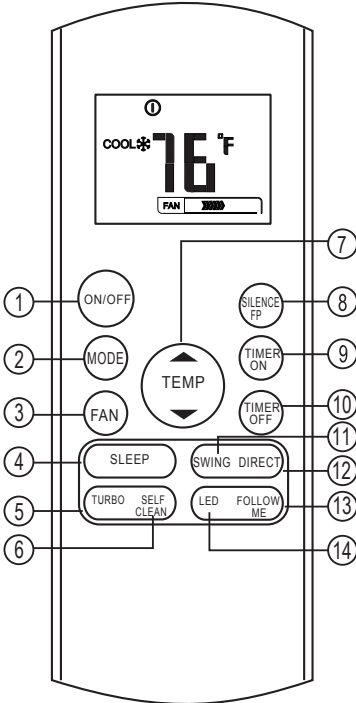
8 SILENCE/FP Button

- Activate/Disable Silence function. Press button for more than 2 seconds and the FP function will be activated. Pressing again for 2 seconds disables the FP function.
- When the Silence function is activated, the compressor will operate at low frequency and the indoor unit will blow at a faint breeze, which will reduce noise to the lowest level, creating a quiet and comfortable room. Due to low frequency operation of compressor, it may result in insufficient cooling and heating output.
- The FP function can only be activated during the heating operation (only when the setting mode is HEAT). The unit will operate at a setting temperature of 46°F. The display window of indoor unit will display 'FP'. Pressing the ON/OFF, SLEEP, FP, MODE, FAN SPEED, UP or DOWN while operating will cancel the FP function.

9 TIMER ON Button

Press the button to initiate the auto-on time sequence. Each press of the button will increase the auto-time setting in 30 minute increments. When the setting time displays 10.0, each press of the button will increase the auto-time setting in 60 minute increments. To cancel the auto-time program, simply adjust the auto-on time to 0.0.

Operation of buttons



⑩ TIMER OFF Button

Press the button to initiate the auto-off time sequence. Each press of the button will increase the auto-time setting in 30 minute increments. When the setting time displays 10.0, each press of the button will increase the auto-time setting in 60 minute increments. To cancel the auto-time program, simply adjust the auto-on time to 0.0.

⑪ SWING Button

Used to stop or start horizontal louver auto swing feature.

⑫ DIRECT Button

Used to change the louver movement and set the desired up/down air flow direction. The louver changes 6° in angle with each press of the button.

⑬ FOLLOW ME Button

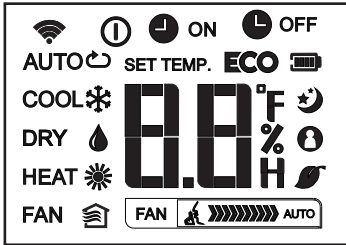
Push this button to initiate the Follow Me feature. The remote will display actual temperature at its location. The remote control will send this signal to the air conditioner in 3 minute intervals until the FOLLOW ME button is pressed again. The air conditioner will cancel the Follow Me feature automatically if it does not receive the signal during any 7 minute interval.

⑭ LED Button

Disable/Activate indoor screen display. When pushing this button, the indoor unit screen display is cleared. Press it again to light the display.

Indicators on LCD

Information is displayed when the remote control is turned on.



Mode display

AUTO COOL DRY
HEAT FAN

-
- Displayed when data transmitted
 - Displayed when remote control is ON
 - Battery display (low battery detection)
 - Not available for this unit
-
- ON Displayed when TIMER ON time is set
 - OFF Displayed when TIMER OFF time is set
 - Show set temperature or room temperature, or time under TIMER setting.
-
- Displayed in SLEEP Mode operation
 - Indicates that the air conditioner is operating in FOLLOW ME mode
 - Not available for this unit
 - Not available for this unit

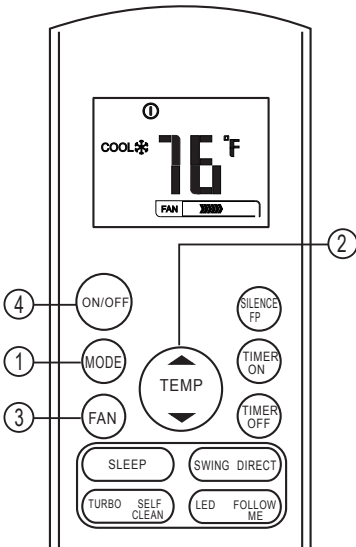
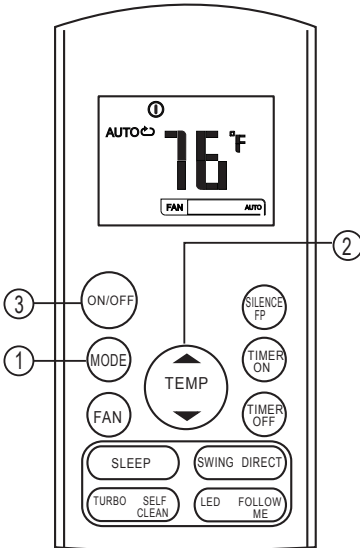
Fan speed indication

- Low speed
- Medium speed
- High speed
- Auto fan speed

Note:

All indicators shown in the figure are for illustration purposes. During actual operation only the relative functional signs are shown in the display window.

How to use the buttons



Auto Operation

Ensure there is power to the unit. The OPERATION indicator on the display panel of the indoor unit starts flashing.

1. Press the MODE button to select Auto.
2. Press the UP/DOWN button to set the desired temperature. The temperature can be set within a range of 62°F–86°F in 1°F increments.
3. Press the ON/OFF button to start the air conditioner.

NOTE:

1. In the AUTO mode, the air conditioner can choose COOLING, FAN and HEATING modes by sensing the difference between the actual ambient room temperature and the setting temperature on the remote control.
2. In the AUTO mode, you cannot switch the fan speed. It is automatically controlled.
3. If the AUTO mode is not comfortable for you, the desired mode can be selected manually.

Cooling/Heating/Fan Operation

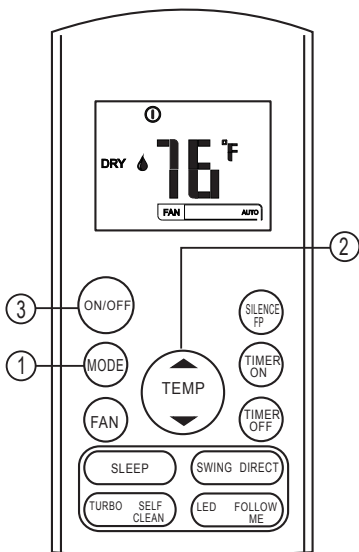
Ensure there is power to the unit. The OPERATION indicator on the display panel of the indoor unit starts flashing.

1. Press the MODE button to select COOL, HEAT (cooling & heating models only) or FAN mode.
2. Press the UP/DOWN button to set the desired temperature. The temperature can be set within a range of 62°F–86°F in 1°F increments.
3. Press the FAN button to select the fan speed in four steps: Auto, Low, Med or High.
4. Press the ON/OFF button to start the air conditioner.

NOTE:

In the FAN mode, the setting temperature is not displayed on the remote control and you are not able to control the room temperature. In this case, only steps 1, 3 and 4 may be performed.

How to use the buttons



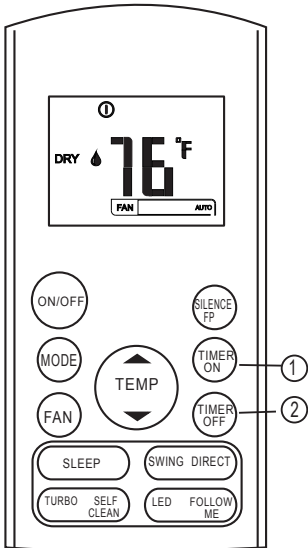
Dehumidifying Operation

Ensure there is power to the unit. The OPERATION indicator on the display panel of the indoor unit starts flashing.

1. Press the MODE button to select DRY
2. Press the UP/DOWN button to set the desired temperature. The temperature can be set within a range of 62°F–86°F in 1°F increments.
3. Press the ON/OFF button to start the air conditioner.

NOTE:

In the Dehumidifying mode, you cannot switch the fan speed. It is automatically controlled.



Timer Operation

Press the TIMER ON button to set the auto-on time of the unit. Press the TIMER OFF button to set the auto-off time of the unit.

To set the Auto-on time.

1. Press the TIMER ON button. The remote control shows TIMER ON, the last Auto-on setting time and the signal "H" will be shown on the LCD display area. The remote is now ready to reset the Auto-on time to START the operation.
2. Press the TIMER ON button again to set desired Auto-on time. Each time you press the button, the time increases by half an hour between 0 and 10 hours and by one hour between 10 and 24 hours.
3. After setting the TIMER ON, there will be a one second delay before the remote control transmits the signal to the air conditioner. Then, after approximately another 2 seconds, the signal "h" will disappear and the set temperature will re-appear on the LCD display window.

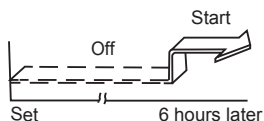
To set the Auto-off time.

1. Press the TIMER OFF button. The remote control shows TIMER OFF, the last Auto-off setting time and the signal "H" will be shown on the LCD display area. The remote is now ready to reset the Auto-off time to stop the operation.
2. Push the TIMER OFF button again to set desired Auto-off time. Each time you press the button, the time increases by half an hour between 0 and 10 hours and by one hour between 10 and 24 hours.
3. After setting the TIMER OFF, there will be a one second delay before the remote control transmits the signal to the air conditioner. Then, after approximately another 2 seconds, the signal "H" will disappear and the set temperature will re-appear on the LCD display window.

CAUTION

- When you select the timer operation, the remote control automatically transmits the timer signal to the indoor unit for the specified time. Therefore, keep the remote control in a location where it can transmit the signal to the indoor unit properly.
- The effective operation time set by the remote control for the timer function is limited to the following settings: 0.5, 1.0, 1.5, 2.0, 2.5, 3.0, 3.5, 4.0, 4.5, 5.0, 5.5, 6.0, 6.5, 7.0, 7.5, 8.0, 8.5, 9.0, 9.5, 10, 11, 12, 13, 14, 15,16,17, 18, 19, 20, 21, 22, 23 and 24.

Example of timer setting



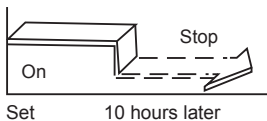
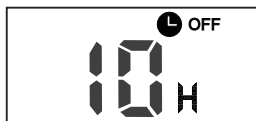
**TIMER ON
(Auto-on Operation)**

The Timer On feature is useful when you want the unit to turn on automatically before you return home. The air conditioner will automatically start operating at the set time.

Example:

To start the air conditioner in 6 hours.

1. Press the TIMER ON button, the last setting of starting operation time and the signal "H" will show on the display area.
2. Press the TIMER ON button to display "6.0H" on the TIMER ON display of the remote control.
3. Wait for 3 seconds and the digital display area will show the temperature again. The "TIMER ON" indicator remains on and this function is activated.



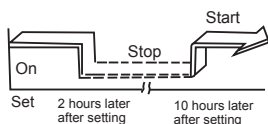
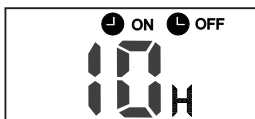
TIMER OFF
(Auto-off Operation)

The Timer Off feature is useful when you want the unit to turn off automatically after you go to bed. The air conditioner will stop automatically at the set time.

Example:

To stop the air conditioner in 10 hours.

1. Press the TIMER OFF button, the last setting of stopping operation time and the signal "H" will show on the display area.
2. Press the TIMER OFF button to display "10H" on the TIMER OFF display of the remote control.
3. Wait for 3 seconds and the digital display area will show the temperature again. The "TIMER OFF" indicator remains on and this function is activated.



COMBINED TIMER
 (Setting both ON and OFF timers simultaneously)

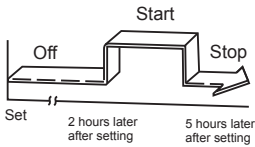
TIMER OFF → TIMER ON
 (On → Stop → Start operation)

This feature is useful when you want to stop the air conditioner after you go to bed, and start it again in the morning when you wake up or when you return home.

Example:

To stop the air conditioner 2 hours after setting and start it again 10 hours after setting.

1. Press the TIMER OFF button.
2. Press the TIMER OFF button again to display 2.0H on the TIMER OFF display.
3. Press the TIMER ON button.
4. Press the TIMER ON button again to display 10H on the TIMER ON display .
5. Wait for 3 seconds and the digital display area will show the temperature again. The "TIMER ON OFF" indicator remains on and this function is activated.



TIMER ON → TIMER OFF

(Off → Start → Stop operation)

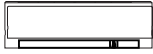
This feature is useful when you want to start the air conditioner before you wake up and stop it after you leave the house.

Example:

To start the air conditioner 2 hours after setting, and stop it 5 hours after setting.

1. Press the TIMER ON button.
2. Press the TIMER ON button again to display 2.0H on the TIMER ON display.
3. Press the TIMER OFF button.
4. Press the TIMER OFF button again to display 5.0H on the TIMER OFF display .
5. Wait for 3 seconds and the digital display area will show the temperature again. The "TIMER ON & TIMER OFF" indicator remains on and this function is activated.

Handling the remote control

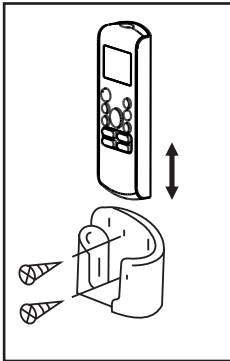


Location of the remote control.

- Use the remote control within a distance of 26 ft (8m) from the indoor unit, pointing it towards the receiver. Reception is confirmed by a beep.

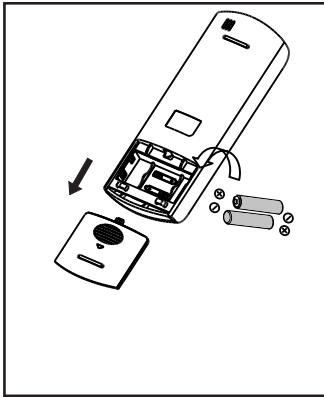
▲ CAUTIONS

- The air conditioner will not operate if curtains, doors or other materials block the signals from the remote controller to the indoor unit.
- Prevent any liquid from coming into contact with the remote control. Do not expose the remote control to direct sunlight or heat.
- If the infrared signal receiver on the indoor unit is exposed to direct sunlight, the air conditioner may not function properly. Prevent sunlight from falling on the receiver.
- If other electrical appliances react to the remote control, either move these appliances or consult your service technician.
- Do not drop the remote control. Handle with care.
- Do not place heavy objects on the remote control or step on it.



Using the remote control holder (optional)

- The remote control can be attached to a wall or pillar by using a remote control holder (not supplied, purchased separately).
- Before installing the remote control, check that the air conditioner receives the signals properly.
- Install the remote control holder with two screws.
- For installing or removing the remote control, simply move it up or down in the holder.



Replacing batteries

The following cases indicate exhausted batteries. Replace old batteries with new ones.

- Receiving beep is not emitted when a signal is transmitted.
- Indicator fades away.

The remote control is powered by two dry AAA batteries (R03/LR03X2) housed in the back rear part and protected by a cover.

- (1) Slide the cover off of the rear part of the remote control as illustrated.
- (2) Remove the old batteries and insert the new batteries, placing the (+) and (-) ends correctly.
- (3) Install the cover back on.

NOTE: When the batteries are removed, the remote control erases all programming. After inserting new batteries, the remote control must be reprogrammed.

▲ CAUTIONS

- Do not mix old and new batteries or batteries of different types.
- Do not leave the batteries in the remote control if they are not going to be used for 2 or 3 months.
- Do not dispose batteries as unsorted municipal waste. Collection of such waste separately for special treatment is necessary.

The device could comply with the local national regulations. In Canada, it should comply with CAN ICES-3(B)/NMB-3(B). In USA, this device complies with part 15 of the FCC Rules. Operation is subject to the following two conditions:

- (1) This device may not cause harmful interference, and
- (2) this device must accept any interference received, including interference that may cause undesired operation.

This equipment has been tested and found to comply with the limits for a Class B digital device, pursuant to part 15 of the FCC Rules. These limits are designed to provide reasonable protection against harmful interference in a residential installation. This equipment generates, ses and can radiate radio frequency energy and, if not installed and used in accordance with the instructions, may cause harmful interference to radio communications. However, there is no guarantee that interference will not occur in a particular installation. If this equipment does cause harmful interference to radio or television reception, which can be determined by turning the equipment off and on, the user is encouraged to try to correct the interference by one or more of the following measures:

- Reorient or relocate the receiving antenna.
- Increase the separation between the equipment and receiver.
- Connect the equipment into an outlet on a circuit different from that to which the receiver is connected.
- Consult the dealer or an experienced radio/TV technician for help.
- Changes or modifications not approved by the party responsible for compliance could void user's authority to operate the equipment.



www.ThinkDuctless.ca
ThinkDuctless@sourceatlantic.ca
1.844.588.3703

Specification and performance data is subject to change without notice.

Distributed by: Perfect Aire, LLC, 5401 Dansher Rd., Countryside, IL 60525

Printed in China